



## Export catalogue

Karolíny Světlé 6, 37004 České Budějovice. Czech Republic

**2020**

Issue 1.1

31.3.2020

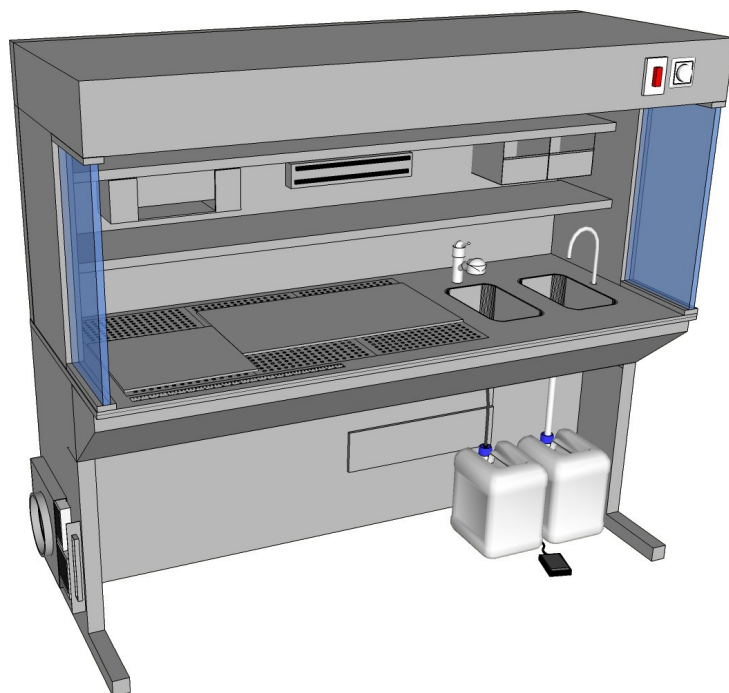
optional custom dimensions, materials, modifications and customization on request

dedicated quotation for your project will be issued

pricing EXW České Budějovice, Czech Republic  
invoicing in CZK currency, EUR on request

## PP2G

- Workstation for 2 lab technicians
- Completely made of stainless steel
- Downdraft ventilation with regulation up to 800m<sup>3</sup>/h
- IP44 extraction fan
- Isolation Class B
- 5 degree regulation of fume extraction
- Water mixer with flexible shower
- Manual main fluorescent lightening
- Magnetic tool holder
- Shelf for paper towels
- Retractable shelf for cassettes (2x)
- Electrical sockets (4x) for accessories
- Perforated desk with full cover
- Integrated scale for quick measurement (in mm)
- Height adjustable legs
- Optional formalin dispensing system with audio/visual alarms
- Side safety glass shield



\*reference picture, configuration may vary

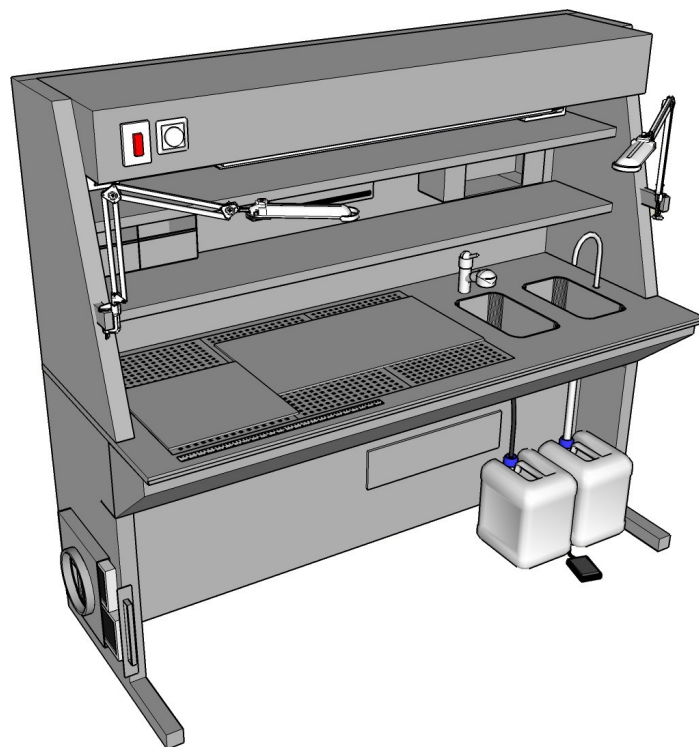
dimensions: 1900x750x1700mm

### cat.no.: description

878200-G	PP2 with glass window, flexible water mixer
878900	Formalin dispensing system with foot pedal
878910	Liquid level sensors, switchable DIN containers
878950	Germicidal UV lamp, timer clock
878800	Grinder
222100ZM	Digital imaging sys. A: DSLR, Laptop, macro lens, SW Promicra
7700090	Filtering unit for PP1+2
7700091	Spare cartridge
7703288	Touch screen control
778119	Water rinse under perforations
778121	Secondary light, flexible arm
600233	Magnifier with LED
BOX3	Safetybox
600471	Voice recorder lite

## PP2

- Workstation for 2 lab technicians
- Completely made of stainless steel
- Downdraft ventilation with regulation up to 800m<sup>3</sup>/h
- IP44 extraction fan
- Isolation Class B
- 5 degree regulation of fume extraction
- Water mixer with flexible shower
- Manual main fluorescent lightening
- Magnetic tool holder
- Shelf for paper towels
- Retractable shelf for cassettes (2x)
- Electrical sockets (4x) for accessories
- Perforated desk with full cover
- Integrated scale for quick measurement (in mm)
- Height adjustable legs
- 2 additional lights
- Optional formalin dispensing system with audio/visual alarms



\*reference picture, configuration may vary

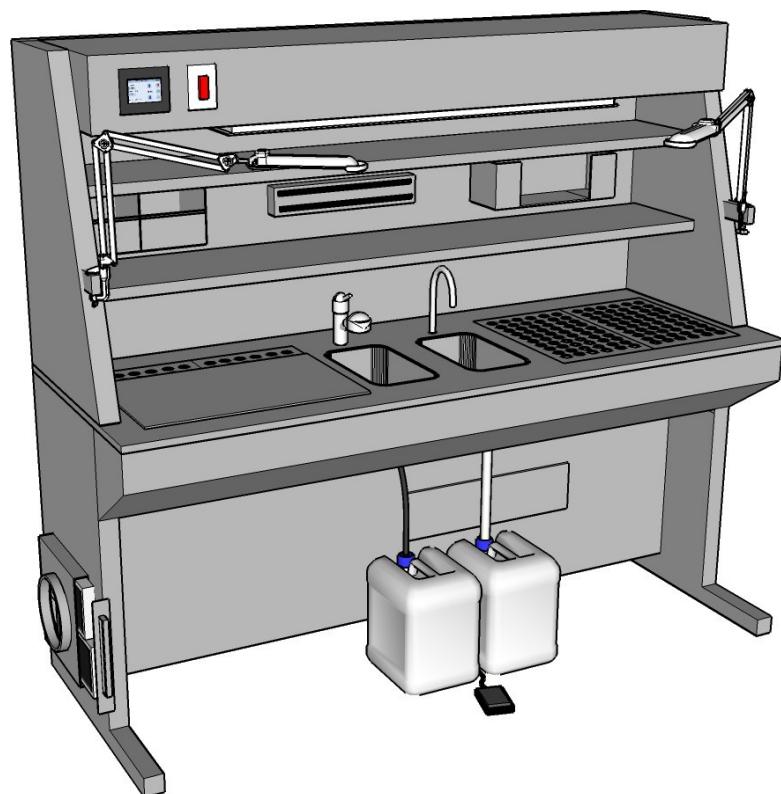
dimensions: 1900x750x1700mm

cat.no.:	description
878200	PP2, flexible water mixer
878900	Formalin dispensing system with foot pedal
878910	Liquid level sensors, switchable DIN containers
878950	Germicidal UV lamp, timer clock
878800	Grinder
222100ZM	Digital imaging sys. A: DSLR, Laptop, macro lens, SW Promicra
7700090	Filtering unit for PP1+2
7700091	Spare cartridge
7703288	Touch screen control
778119	Water rinse under perforations
778121	Secondary light, flexible arm
600233	Magnifier with LED
BOX3	Safetybox
600471	Voice recorder lite

## PP2

(middle sink position)

- Workstation for 2 lab technicians
- Completely made of stainless steel
- Downdraft ventilation with regulation up to 800m<sup>3</sup>/h
- IP44 extraction fan
- Isolation Class B
- 5 degree regulation of fume extraction
- Water mixer with flexible shower
- Manual main fluorescent lightening
- Magnetic tool holder
- Shelf for paper towels
- Retractable shelf for cassettes (2x)
- Electrical sockets (4x) for accessories
- Perforated desk with full cover
- Integrated scale for quick measurement (in mm)
- 2 additional lights
- Optional formalin dispensing system with audio/visual alarms



\*reference picture, configuration may vary

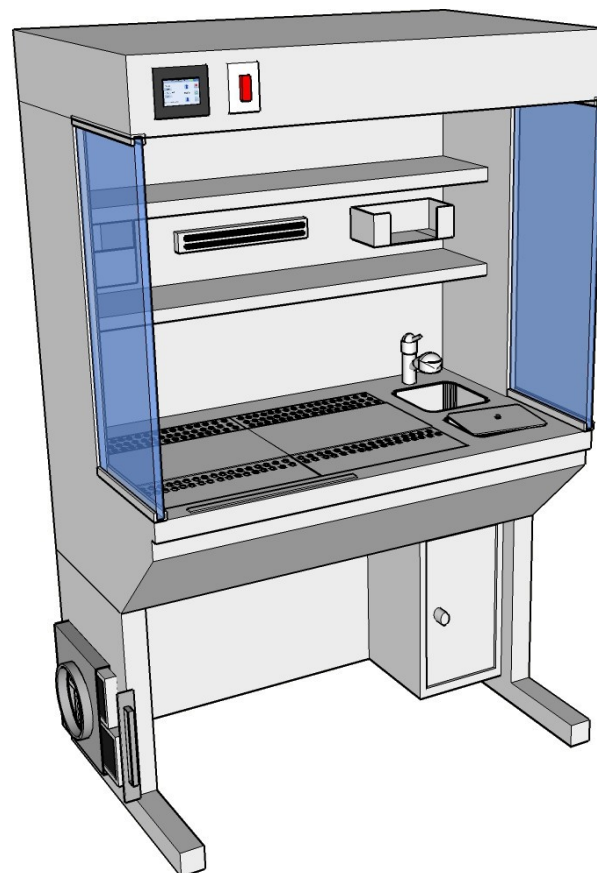
dimensions: 1900x750x1700mm

cat.no.:	description
978200M	PP2, sink middle, flexible water mixer
878900	Formalin dispensing system with foot pedal
878910	Liquid level sensors, switchable DIN containers
878950	Germicidal UV lamp, timer clock
878800	Grinder
222100ZM	Digital imaging sys. A: DSLR, Laptop, macro lens, SW Promicra
7700090	Filtering unit for PP1+2
7700091	Spare cartridge
7703288	Touch screen control
778119	Water rinse under perforations
778121	Secondary light, flexible arm
600471	Voice recorder lite
600233	Magnifier with LED
BOX3	Safetybox

## PP1G

- Workstation for 1 lab technician
- Completely made of stainless steel
- Downdraft ventilation with regulation up to 800m<sup>3</sup>/h
- IP44 extraction fan
- Isolation Class B
- 5 degree regulation of fume extraction
- Water mixer with flexible shower
- Automatic proximity lightening
- Magnetic tool holder
- Shelf for paper towels
- Retractable shelf for cassettes
- Perforated desk with full cover
- Integrated scale for quick measurement
- Height adjustable legs
- Electrical sockets (2x) for accessories
- Side safety glass shield

dimensions: 1200x750x1700mm



\*reference picture, configuration may vary

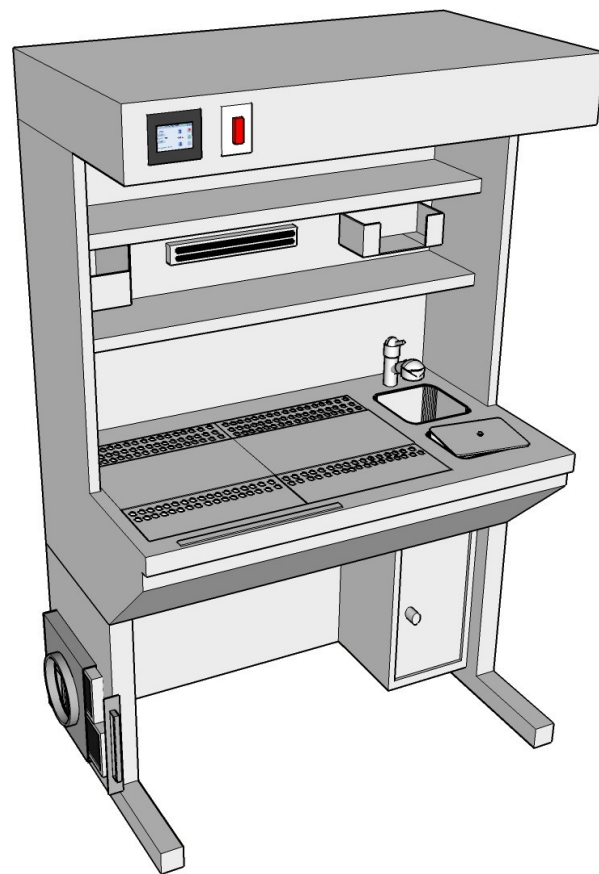
dimensions: 1200x750x1700mm

cat.no.:	description
778200G	PP1 Glass side windows, flexible water mixer
878900	Formalin dispensing system with foot pedal
878910	Liquid level sensors, switchable DIN containers
878950	Germicidal UV lamp, timer clock
878800	Grinder
222100ZM	Digital imaging sys. A: DSLR, Laptop, macro lens, SW Promicra
7700090	Filtering unit for PP1+2
7700091	Spare cartridge
7703288	Touch screen control
778119	Water rinse under perforations
778121	Secondary light, flexible arm
600233	Magnifier with LED
BOX3	Safetybox
600471	Voice recorder lite

## PP1

- Workstation for 1 lab technician
- Completely made of stainless steel
- Downdraft ventilation with regulation up to 800m<sup>3</sup>/h
- IP44 extraction fan
- Isolation Class B
- 5 degree regulation of fume extraction
- Water mixer with flexible shower
- Automatic proximity lightening
- Magnetic tool holder
- Shelf for paper towels
- Retractable shelf for cassettes
- Perforated desk with full cover
- Integrated scale for quick measurement
- Height adjustable legs
- Electrical sockets (2x) for accessories

dimensions: 1200x750x1700mm



\*reference picture, configuration may vary

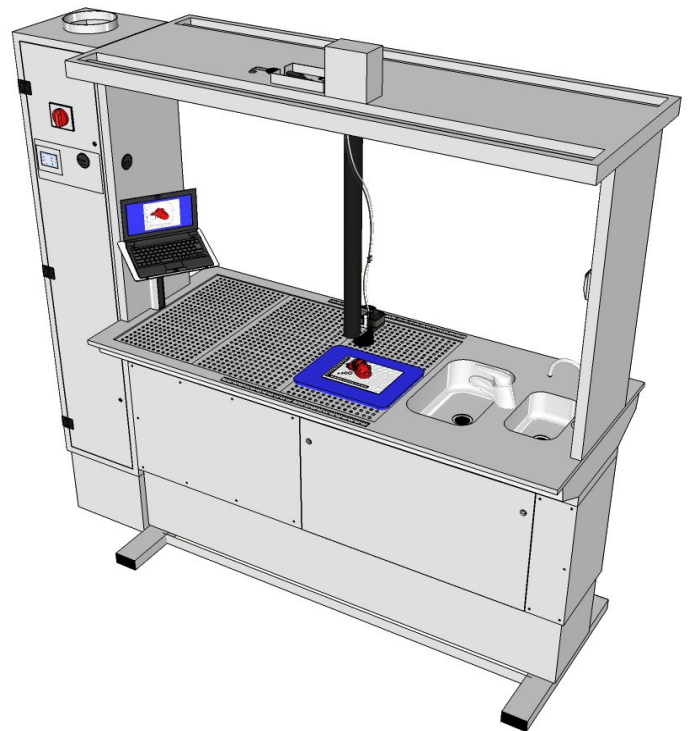
dimensions: 1200x750x1700mm

cat.no.:	description
778200	PP1 flexible water mixer
878900	Formalin dispensing system with foot pedal
878910	Liquid level sensors, switchable DIN containers
878950	Germicidal UV lamp, timer clock
878800	Grinder
222100ZM	Digital imaging sys. A: DSLR, Laptop, macro lens, SW Promicra
7700090	Filtering unit for PP1+2
7700091	Spare cartridge
7703288	Touch screen control
778119	Water rinse under perforations
778121	Secondary light, flexible arm
600233	Magnifier with LED
BOX3	Safetybox
600471	Voice recorder lite

# PP3

## 240cm

- Island type grossing station
- Downdraft ventilation (1000m<sup>3</sup>/h) through perforated workarea
- Complete stainless construction AISI304  
(special materials on request)
- Lever operated water faucet with sink
- Formalin waste collection system with waste formalin tank  
(special materials on request)
- Magnetic tool holder, quick measurement scale
- Main LED lightening
- 3x power supply sockets for accessories
- Service window with 2 locks for safe formalin storage
- Shelf for storage of cassettes or other accessories



### cat.no.: description

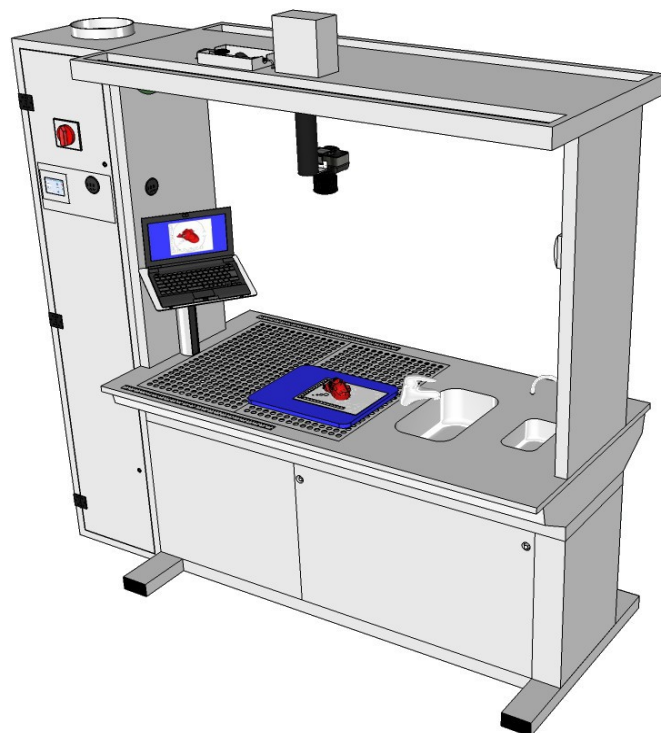
PP3240	PP3 station, 240cm body
878900	Formalin dispensing system with foot pedal
878910	Liquid level sensors, switchable DIN containers
878950	Germicidal UV lamp, timer clock
878800	Grinder
222100ZM	Digital imaging sys. A: DSLR, Laptop, macro lens, SW Promicra
7700090	Filtering unit for PP1+2
7700091	Spare cartridge
7703288	Touch screen control
778119	Water rinse under perforations
778121	Secondary light, flexible arm
600233	Magnifier with LED
600471	Voice recorder lite
BOX3	Safetybox
PP3111	Height adjustment



# PP3

## 200cm

- Island type grossing station
- Downdraft ventilation (1000m<sup>3</sup>/h) through perforated workarea
- Complete stainless construction AISI304  
(special materials on request)
- Lever operated water faucet with sink
- Formalin waste collection system with waste formalin tank  
(special materials on request)
- Magnetic tool holder, quick measurement scale
- Main fluorescent lightening
- 3x power supply sockets for accessories
- Service window with 2 locks for safe formalin storage
- Shelf for storage of cassettes or other accessories



### cat.no.: description

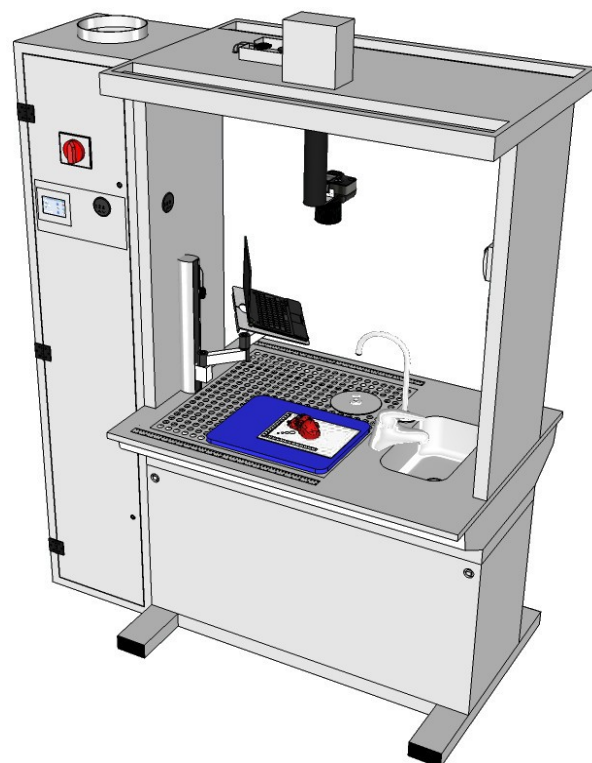
PP3200	PP3 station, 200cm body
878900	Formalin dispensing system with foot pedal
878910	Liquid level sensors, switchable DIN containers
878950	Germicidal UV lamp, timer clock
878800	Grinder
222100ZM	Digital imaging sys. A: DSLR, Laptop, macro lens, SW Promicra
7700090	Filtering unit for PP1+2
7700091	Spare cartridge
7703288	Touch screen control
778119	Water rinse under perforations
778121	Secondary light, flexible arm
600233	Magnifier with LED
600471	Voice recorder lite
BOX3	Safetybox
PP3111	Height adjustment



# PP3

## 150cm

- Island type grossing station
- Downdraft ventilation (1000m<sup>3</sup>/h) through perforated workarea
- Complete stainless construction AISI304  
(special materials on request)
- Lever operated water faucet with sink
- Formalin waste collection system with waste formalin tank  
(special materials on request)
- Magnetic tool holder, quick measurement scale
- Main fluorescent lightening
- 3x power supply sockets for accessories
- Service window with 2 locks for safe formalin storage
- Shelf for storage of cassettes or other accessories



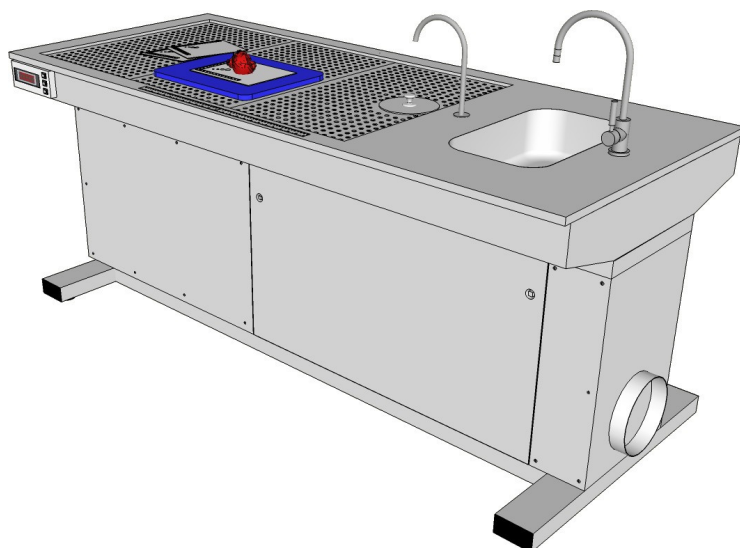
### cat.no.:      description

PP3150	PP3 station, 150cm body
878900	Formalin dispensing system with foot pedal
878910	Liquid level sensors, switchable DIN containers
878950	Germicidal UV lamp, timer clock
878800	Grinder
222100ZM	Digital imaging sys. A: DSLR, Laptop, macro lens, SW Promicra
7700090	Filtering unit for PP1+2
7700091	Spare cartridge
7703288	Touch screen control
778119	Water rinse under perforations
778121	Secondary light, flexible arm
600233	Magnifier with LED
600471	Voice recorder lite
BOX3	Safetybox
PP3111	Height adjustment

## PP4

- Base style grossing station
- Completely manufactured from AISI304 steel
- Downdraft ventilation with regulation up to 800m<sup>3</sup>/h
- IP44 extraction fan
- Isolation Class B
- Integrated scale for quick measurement
- Height adjustable legs
- Formalin dispenser
- Island single sided at request

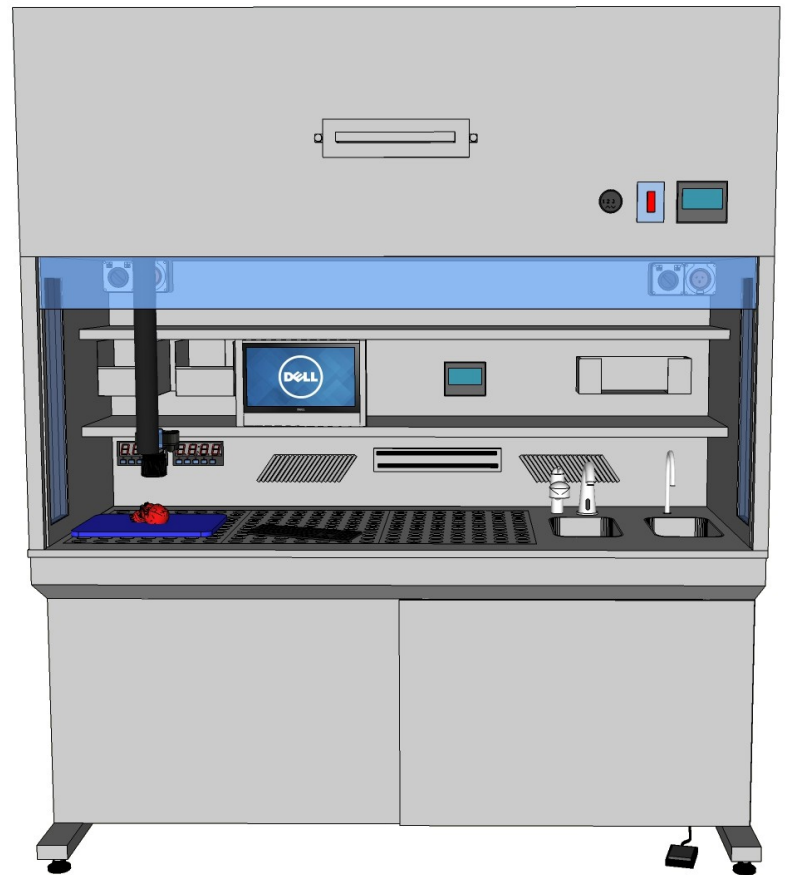
Dimensions: 1200x750x850mm  
 1500x750x850mm  
 1800x750x850mm



cat.no.:	description
PP41200	PP4, width 1200mm
PP41500	PP4, width 1500mm
PP41800	PP4, width 1800mm
878800	Grinder
878900	Formalin dispensing system with foot pedal
878910	Liquid level sensors
7700090	Filtering unit for PP1+2
7700091	Spare cartridge

# PP6

- Grossing station for 2 persons
- Complete stainless steel construction
- Downdraft+backdraft+formalin sink extraction
- 1300m<sup>3</sup>/h air extraction with regulation
- Removable perforations
- Color touch screen control panel standard
- Emergency power switch
- Air filter – low density/high throughput
- Electronic height adjustment with memory (option)
- Formalin dispenser with foot controls (option)
- Fresh+waste formalin liquid level sensors (option)
- Voice recorder (option)
- LED main light
- Digital imaging system with touch PC (option)
- Electronic elevated frontal widow standard
- Side window panels
- Drawers for cassettes/accessories
- Paper towel holder
- Magnetic tool holder
- UV Germicidal lamp with timer (option)
- Water rinse under perforated desktop (option)
- Hand shower with thumb button, flexible
- Magnifier with LED light (option)
- Sliding doof for easy service/maintenance access
- Formalin detector ready (option)



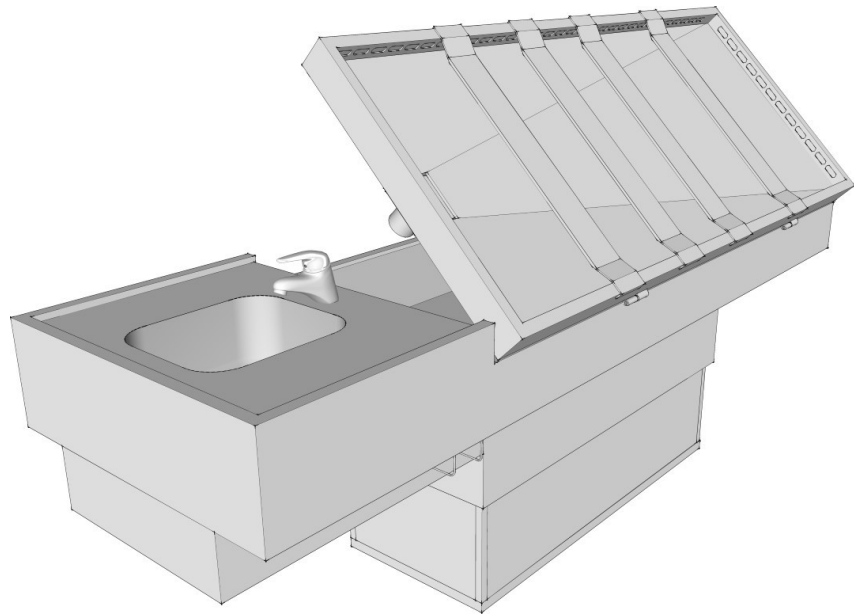
Dimensions: 2000x780x2300mm

## cat.no.: description

PP6200	PP6 200cm
878900	Formalin dispensing system with foot pedal
878910	Liquid level sensors, switchable DIN containers
878950	Germicidal UV lamp, timer clock
878800	Grinder
226100HX	Digital imaging sys.: DSLR, TouchScreen PC, macro lens, software
7700091	Spare cartridge
778119	Water rinse under perforations
600233	Magnifier with LED
600471	Voice recorder lite
BOX3	Safetybox
SF1	Formalin detector
PP6111	Height adjustment

# PSZ14

- popular construction with circumferential air extraction
- robust and solid construction
- full stainless steel construction
- fumes extraction realised through innovative circumferential holes
- easy and comfortable cleaning
- no bottom plate perforations
- optional height adjustment
- water sink with tap, hand shower
- power sockets for electronic accessories
- folding working desk for easy maintenance
- vast options available – trays, head rests, organ table, tools table, etc....



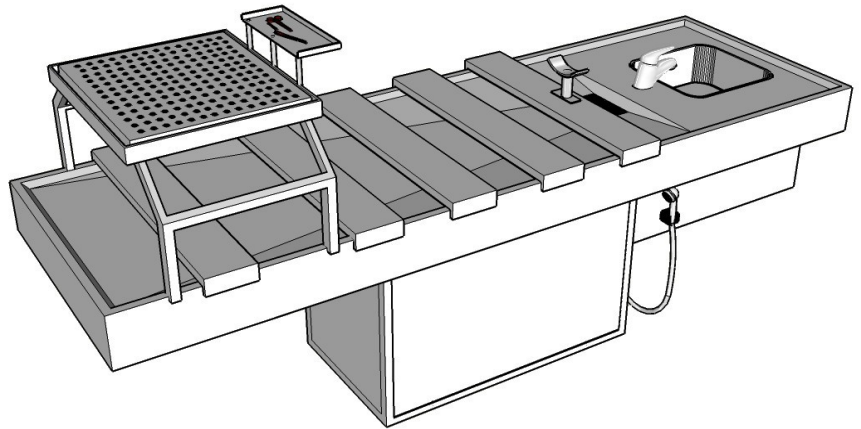
dimensions: 2700x850x850h  
2700x850x750-1000h with optional height adjustment

## cat.no.: description

PSZ14	Autopsy table with air extraction
PSZ14Z	Autopsy table with air extraction and height adjustment
PSZ009	Hydro-Aspirator unit

\* no organ and no tools table included

# PSZ



- Autopsy tables
- Cold/hot water with flexible shower for easy cleaning
- Superb stability
- Sink 400x400x200mm
- Optional downdraft fume extraction
- Optional height adjustment
- Optional perforated or body trayed corpse support
- Optional head rest
- Optional organ table
- Optional tools table

dimensions: 2700x850x850h  
2700x850x750-1000h with optional height adjustment

## cat.no.: description

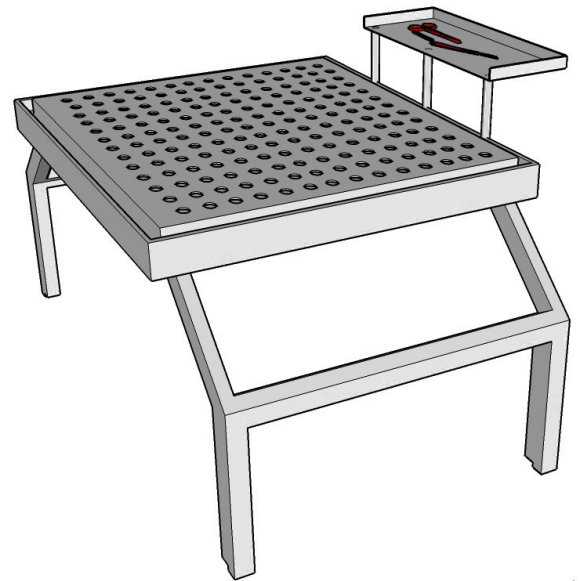
PSZ-P	Fixed autopsy table incl. water mixer and 5 body supports
PSZ-O	Fixed autopsy table with fume extraction system
PSZ-ZO	Elevated autopsy table with fume extraction system
PSZ-Z	Elevated autopsy table
PSZ-ST	Support trays, 5pcs, incl. head rest
PSZ009	Hydro-Aspirator unit

\* no organ and no tools table included

## N1

- Tool table for autopsy tables
- Fits on top of each ZENA-R autopsy table
- Movable on the rails

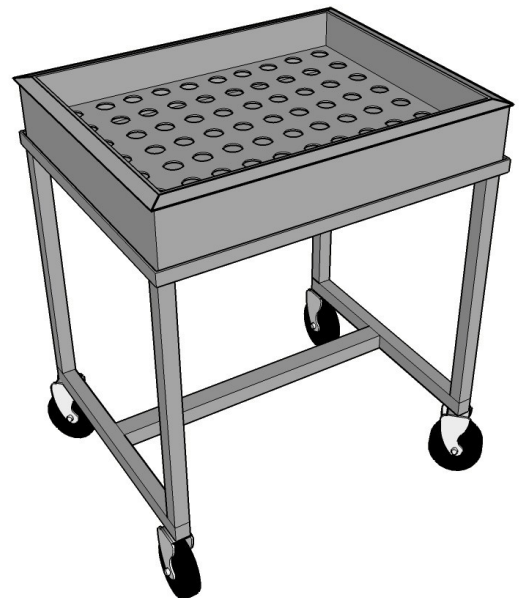
Area dimensions: 500x700mm, area height 300mm



## O1

- Organ table
- Movable on floor wheels
- Locking wheels

dimensions: 600x500x750mm



**cat.no.:**      **description**

---

635247      Tools table (movable on the top of the autopsy table)

---

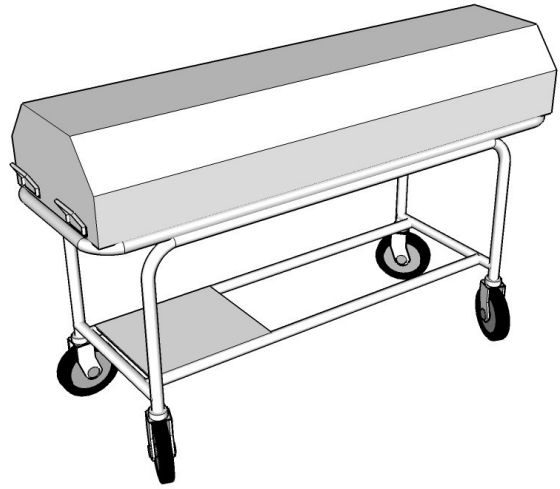
635248      Organ table (movable on floor wheels)

---

# TTR

- Transporting trolley with cover
- Stainless steel construction
- Top surface with hole for drainage to the container below
- Wheels with locking

Dimensions: 2000x600x850mm



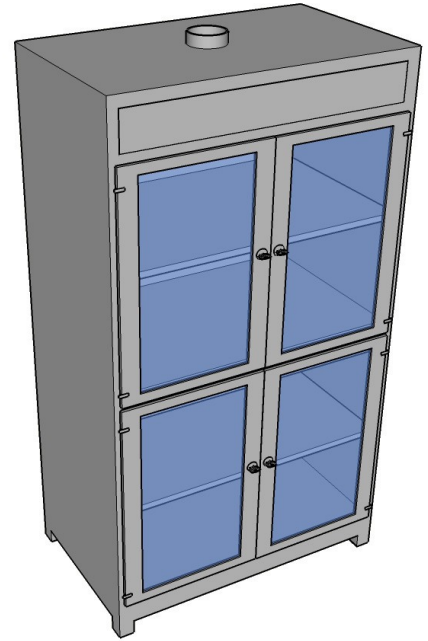
<b>cat.no.:</b>	<b>description</b>
TTR	Transport trolley



## SR180a

- Stainless steel construction
- Fume extraction 160m<sup>3</sup>/h
- Glass doors 4x
- Silent run
- Suitable for storing reserves

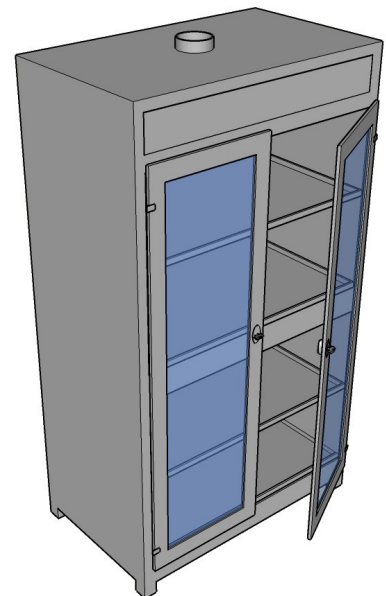
dimensions: 1000x600x1900mm



## SR180b

- Stainless steel construction
- Fume extraction 160m<sup>3</sup>/h
- Glass doors 2x
- Silent run
- Suitable for storing reserves

dimensions: 1000x600x1900mm



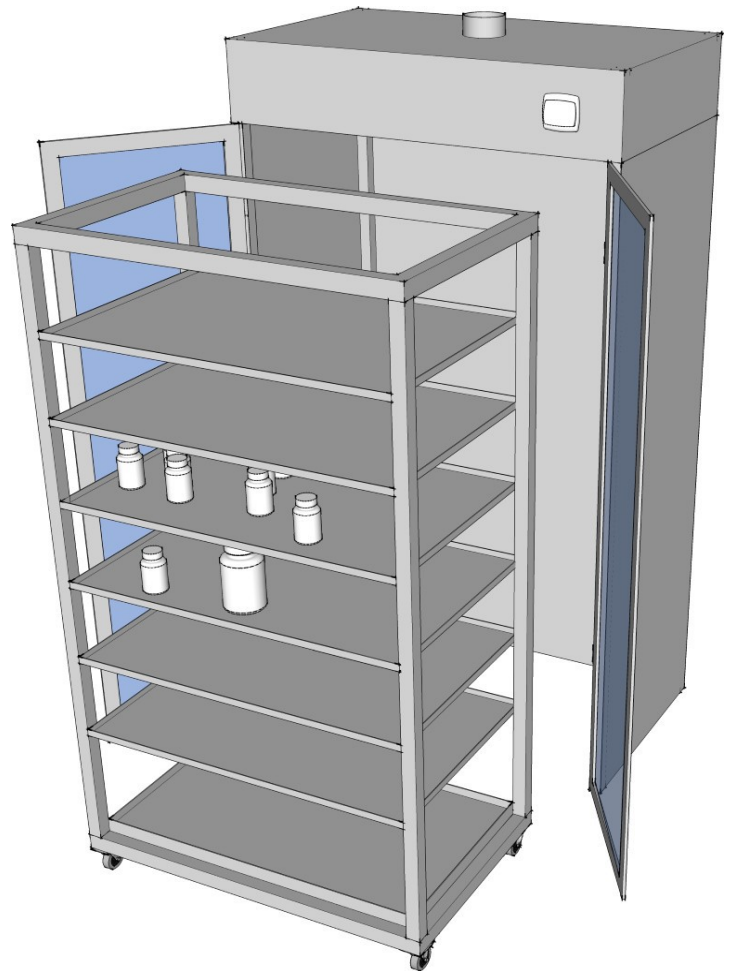
**cat.no.:**      **description**

SR180a	Storage cabinet A
SR180b	Storage cabinet B
SR180P	Active charcoal filter unit

## SR180P

- Shelves construction fitted with wheels
- Stainless steel construction
- Air extraction 160m<sup>3</sup>/h
- 2 glass doors
- Silent run
- Suitable for storing reserves

Dimensions: 1000x600x1900mm



**cat.no.:**      **description**

---

SR180P      Storage cabinet P

---

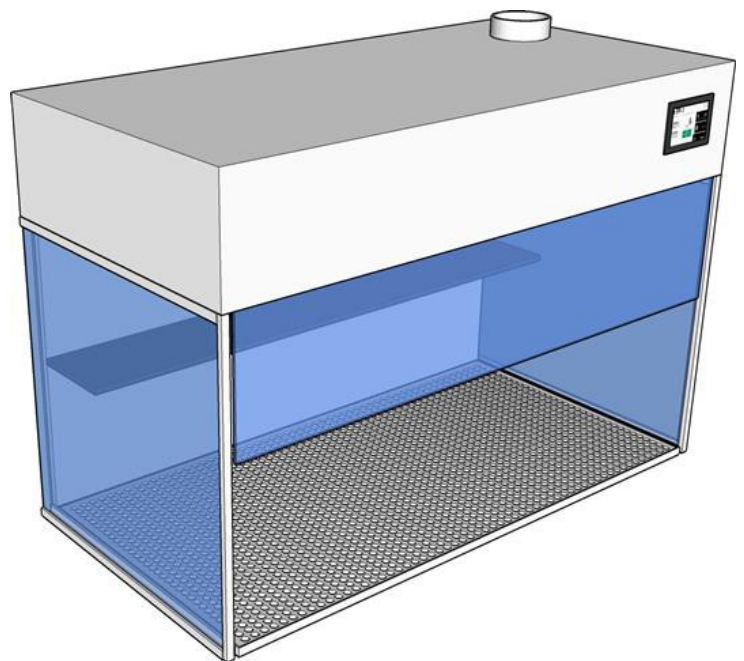
SR180F      Active charcoal filter unit

---

## SOZ120

- Table top aspirated bench hood
- Stainless construction of chemical exposed areas
- Silent run
- Glass window, partially retractable
- Spillage tray
- Active charcoal filter
- Analog control panel or digital touch panel on request

Dimensions: 1200x600x820mm

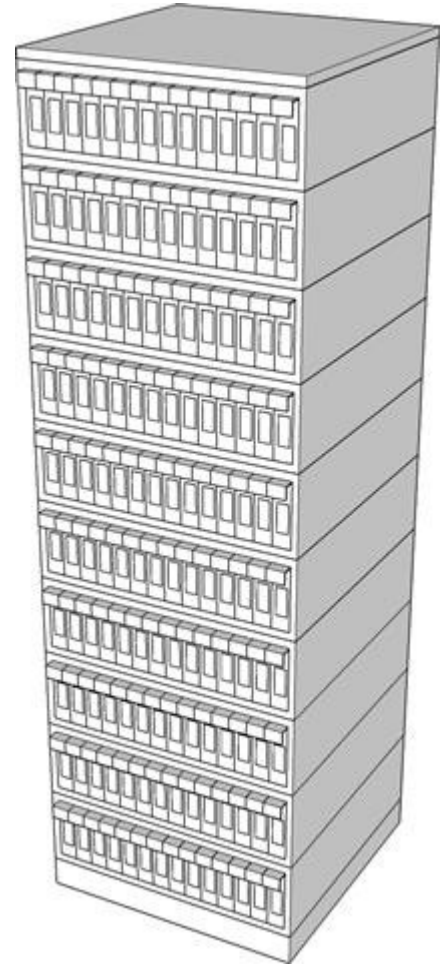


<b>cat.no.:</b>	<b>description</b>
-----------------	--------------------

SOZ120	Table top bench hood
SOZ120D	Table top bench hood touch screen
SOZF	Active charcoal filter unit

# Z56000N

- Storage cabinet for slides storage
- Complete steel construction
- Easy to manipulate
- 10 floors variable stocking construction
- Dimensions: 535x510x1140mm
- Capacity 56.000 slides
- Shelves are removable for easy transport



**cat.no.:**      **description**

---

Z560000      Archiving cabinet for slide storage, capacity 56.000 slides

---

## Z8000

- Storage cabinet for paraffin block
- 15 drawers with possibility to remove
- Blue-gray styled color
- Complete steel construction
- Dimensions: 450x350x940mm
- Possible mounting second cabinet on top of the first one
- Easy drawer transport to your desk
- Capacity 8.000 blocks.



**cat.no.:**      **description**

---

Z8000      Archiving cabinet for paraffin block storage, capacity 8.000 blocks

---

## SF1

- Full metal chassis
- Mobile unit
- Touch screen controls EN, DE, FR, PL
- Detection of carcinogenic formaldehyde
- Real-time measurements
- High precision in thousands of PPM
- Measuring range 0,000-5,000 PPM
- Signalization of exposure limit breach
- List of interfering gass at request
- Suitable for reference measurement of enviroment



**cat.no.:**      **description**

---

SF1      Formaldehyde detector

---